

**PLEASE CHECK WWW.MOLEX.COM FOR LATEST PART INFORMATION**

**Part Number:** [0010191081](#)  
**Status:** **Active**  
**Overview:** [kk](#)  
**Description:** 5.08mm (.200") Pitch KK® Header, Vertical, with Polarizing Backwall, 8 Circuits, Tin (Sn) Plating

**Documents:**

[3D Model](#) [RoHS Certificate of Compliance \(PDF\)](#)  
[Drawing \(PDF\)](#)

**Agency Certification**

UL E29179

**General**

Product Family PCB Headers  
 Series [2599](#)  
 Application Wire-to-Board  
 Overview [kk](#)  
 Product Name KK®

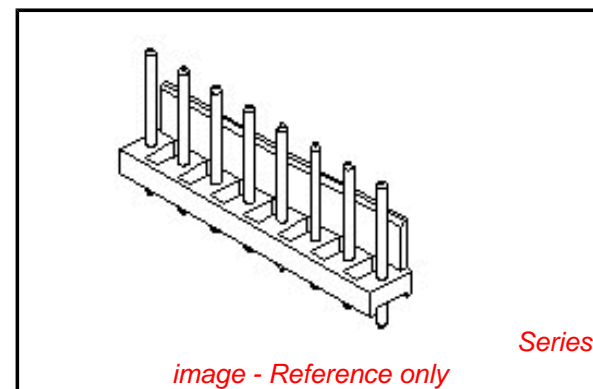
**Physical**

Breakaway No  
 Circuits (Loaded) 8  
 Circuits (maximum) 8  
 Color - Resin Natural  
 Durability (mating cycles max) 50  
 First Mate / Last Break No  
 Flammability 94V-2  
 Glow-Wire Compliant No  
 Guide to Mating Part No  
 Keying to Mating Part None  
 Lock to Mating Part None  
 Material - Metal Brass  
 Material - Plating Mating Tin  
 Material - Plating Termination Tin  
 Material - Resin Nylon  
 Number of Rows 1  
 Orientation Vertical  
 PC Tail Length (in) 0.175 In  
 PC Tail Length (mm) 4.45 mm  
 PCB Retention None  
 PCB Thickness Recommended (in) 0.062 In  
 PCB Thickness Recommended (mm) 1.60 mm  
 Packaging Type Bag  
 Pitch - Mating Interface (in) 0.200 In  
 Pitch - Mating Interface (mm) 5.08 mm  
 Shrouded Partial  
 Stackable Yes  
 Surface Mount Compatible (SMC) No  
 Temperature Range - Operating 0°C to +75°C  
 Termination Interface: Style Through Hole

**Electrical**

Current - Maximum per Contact 7A  
 Voltage - Maximum 250V

**Solder Process Data**



**EU RoHS**

**ELV and RoHS Compliant**  
**REACH SVHC**  
 Not Reviewed  
**Halogen-Free Status**  
**Not Reviewed**

**China RoHS**



**Need more information on product environmental compliance?**

Email [productcompliance@molex.com](mailto:productcompliance@molex.com)  
 For a multiple part number RoHS Certificate of Compliance, [click here](#)

Please visit the [Contact Us](#) section for any non-product compliance questions.

**Search Parts in this Series**

[2599Series](#)

**Mates With**

KK® Crimp Terminal Housing [3001](#) , [5058](#)

Lead-free Process Capability

Wave Capable (TH only)

**Material Info**

Old Part Number

2599-08A

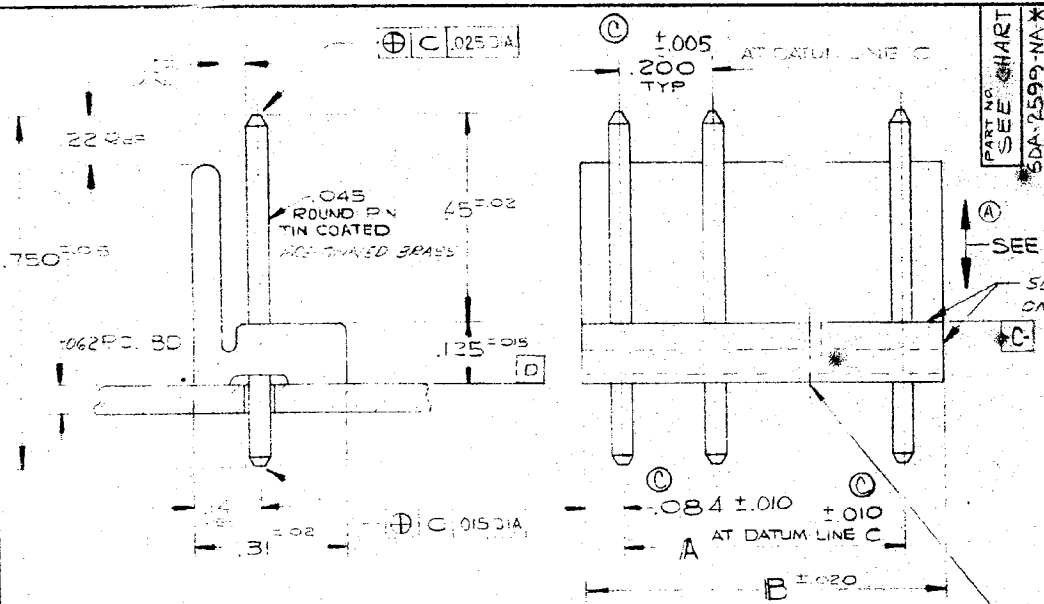
**Reference - Drawing Numbers**

Sales Drawing

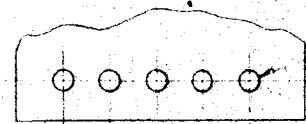
SDA-2599-NA\*

This document was generated on 05/24/2010

**PLEASE CHECK [WWW.MOLEX.COM](http://WWW.MOLEX.COM) FOR LATEST PART INFORMATION**



PART NO. SEE CHART  
SDA-2599-NA\*



RECOMMENDED PC BOARD HOLE DIMENSIONS

SEE NOTE 1  
SLIGHT SAW BURR PERMITTED ON TOP & SIDE EDGES - BOTH ENDS

FOR VOID LOC. SEE CHART ON SHEET 2

- NOTES:
- A) 1. PIN PUSH OUT FORCE: 3 LBS. MIN.
  2. BURRS NOT TO EXTEND BELOW SURFACE D
  - C. CODE LETTER PRECEDING PART NO. INDICATES MFG LOCATION I - IRELAND
  - \* PARTS TO MEET MOLEX PRODUCT SPEC 0-39

10-19-1181	A-2599-18A	18	3.400	3.568	
1171	A-2599-17A	17	3.200	3.368	
1161	A-2599-16A	16	3.000	3.168	
1151	A-2599-15A	15	2.800	2.968	
1141	A-2599-14A	14	2.600	2.768	
1131	A-2599-13A	13	2.400	2.568	
1121	A-2599-12A	12	2.200	2.368	
1111	A-2599-11A	11	2.000	2.168	
1101	A-2599-10A	10	1.800	1.968	
1091	A-2599-9A	9	1.600	1.768	
1081	A-2599-8A	8	1.400	1.568	
1071	A-2599-7A	7	1.200	1.368	
1061	A-2599-6A	6	1.000	1.168	
1051	A-2599-5A	5	.800	.968	
1041	A-2599-4A	4	.600	.768	
1031	A-2599-3A	3	.400	.568	
10-19-1021	A-2599-2A	2	.200	.368	
PART NO	ENG NO	NO OF CIRCUITS	DIM. A	DIM. B	

WAFER MATERIAL: NYLON-NATURAL COLOR

.200 CENTER DISTANCE

UNLESS OTHERWISE SPECIFIED TOLERANCES:  
 3-PLACE DEC DIMS ± .008  
 2-PLACE DEC DIMS ± .010  
 FRACTIONAL DIMS ± 1/64  
 ANGULAR ± 1/2°  
 DRAFT WHERE APPLICABLE MUST REMAIN WITHIN DIMENSIONS, UNLESS OTHERWISE SPECIFIED.  
 DO NOT SCALE DRAWING

REVISIONS:  
 1. REVISED NOTE 1  
 ECO # 612  
 4-3-72 TFS/ER  
 2-2-72 HJ/BAW  
 2-2-72 HJ/BAW

REVISIONS:  
 1. REVISED NOTE 1  
 ECO # 612  
 4-3-72 TFS/ER  
 2-2-72 HJ/BAW  
 2-2-72 HJ/BAW

REVISIONS:  
 1. REVISED NOTE 1  
 ECO # 612  
 4-3-72 TFS/ER  
 2-2-72 HJ/BAW  
 2-2-72 HJ/BAW

POLARIZING WAFER ASSEMBLY	DATE: 1-13-72
	SHEET 2 OF 2
MOLEX PRODUCTS CO.	BAJH
DOWNERS GROVE, ILL. 60515, U.S.A.	SDA-2599-NA*

THIS DRAWING CONTAINS INFORMATION THAT IS PROPRIETARY TO THE MOLEX PRODUCTS COMPANY AND SHOULD NOT BE USED WITHOUT WRITTEN PERMISSION.

